

Getting Started

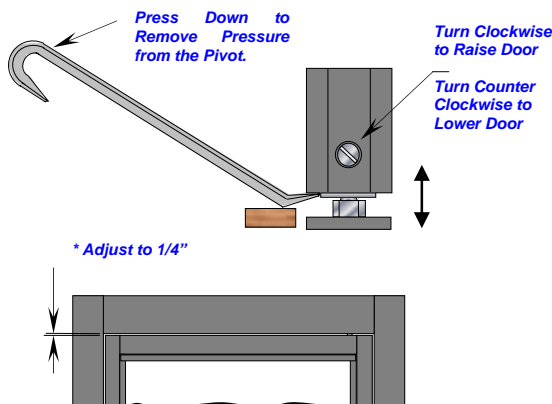
Adjusting the doors after installation is a very important phase of the overall installation. A number of maintenance calls have been attributed to improper door adjustment, which makes this process worth taking the time to do correctly.

Doors are minimally adjusted at the factory like most system devices, due to glass weight, wind loading and installation abnormalities, etc. For this reason, it is important that the following steps be followed during the install process, and anytime adjustment might be needed thereafter.

Door Height Adjustment

As suggested above, doors are not adjusted fully, so adjustment in the field is necessary. Adjustment of the door height must be made after the glass has been properly installed and the system is square and level. Any variance in this installation can cause a misalignment of the lock and armature plate or lock and receiver hole, which in turn causes bonding or alignment problems.

Adjustment is made through an access hole at the base of the door. Insert a straight bladed screwdriver and turn clockwise to raise the door. It is recommended that a lever be placed under the door to remove downward pressure on the pivot. This will allow the screw to turn more freely and prevent possible damage to the bottom pivot assembly.

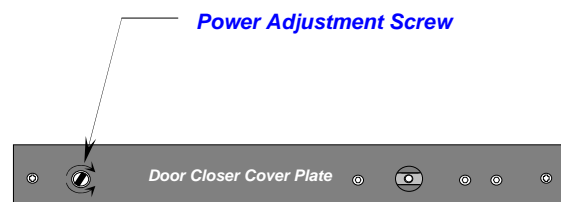


'A' Series Door Closer Adjustments

All Isotec doors are equipped with four adjustments to properly operate the doors. They can be accessed through the cover plate covering the door closer when the door is in its open position.



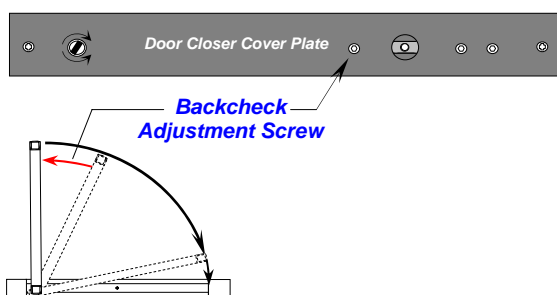
Power Adjustment – The Power Adjustment Screw provides door-opening power for all standard Isotec doors. Care must be taken when making this adjustment. The ADA requires that it take no more than 5# for interior doors and 8.5# of force to open an exterior facing door. This can be measured with a tension scale connected to the outside door rail and measuring the pull force on the scale. The Power Adjustment Screw allows for an 18 turn maximum adjustment. Use the maximum setting only when strong winds or drafts exist.



- ☐ Turn Clockwise To Increase Power
- ☐ Counter Clockwise To Decrease Power

Backcheck Adjustment – Backcheck provides for an increase or decrease in shock absorber like effect on a fully open door. This adjustment prevents the door from breaking an arm or damaging the closer in a windy environment. This adjustment can also be used to prevent the door from hitting an object that may be in the way of a 90 degree swing.

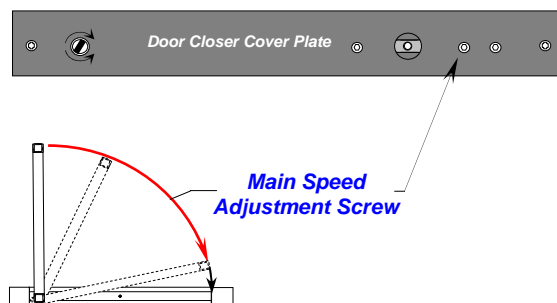
Adjustment is made by turning the Backcheck Adjustment Screw clockwise to increase Backcheck intensity and counterclockwise to decrease intensity. Use a 3/32" Allen wrench to make this adjustment.



Main Speed Adjustment - The Main Speed Adjustment provides a closing speed (fast or slow) of the entire door sweep. This adjustment can be set to comply with the Department of Justice, ADA Standards for Accessible Design 28 CFR Part 36 which states:

4.13.10 Door Closer Speed If a door has a closer, then the sweep period of the closer shall be adjusted so that from an open position of 70 degrees, the door will take at least 3 seconds to move to a point 3 inches from the latch measures to the leading edge of the door.

This adjustment is made with a 3/32" Allen wrench as indicated. Turn the screw clockwise to slow the speed of the door and counter clockwise to increase the speed of the door.



Latch Speed Adjustment – The Latch Speed Adjustment buffers the last few inches of the closing door to avoid damage to the lock and door stop. This adjustment can be made with a 3/32" Allen wrench. Turn the screw clockwise to slow the latching speed of door or turn counter clockwise to speed up latching speed of the door.

