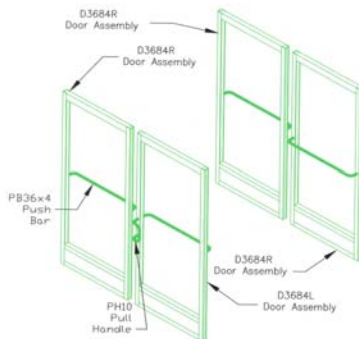


Getting Started

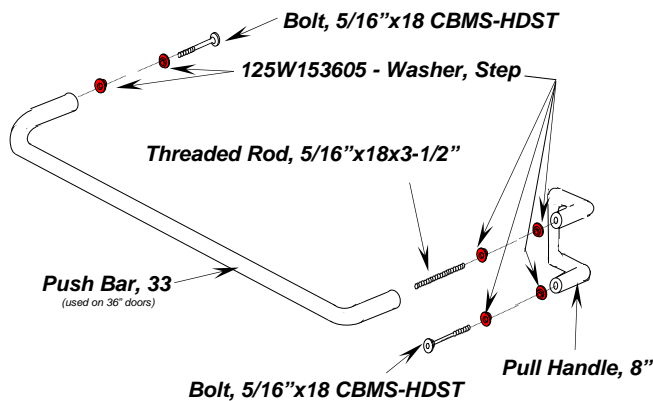
All Push Bars and Pull Handles are removed prior to shipment for their protection. This document covers the installation of those Push Bars and Pull Handles.

The installation of these components are the same for all Isotec products. If your system has a weapons detector the isolation washers reduces the Eddy currents that may interfere with the system operation. Nylon or Delrin shoulder washers are used for isolation on all weapons control systems as a standard and installed on non-weapons control system to standardize the product.

Location of the Push Bars and Pull Handles depend on the Model and function. Check the "General Fabrication Drawing" provided for your system.

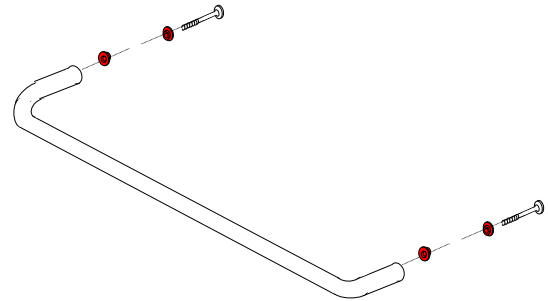


Parts Breakdown



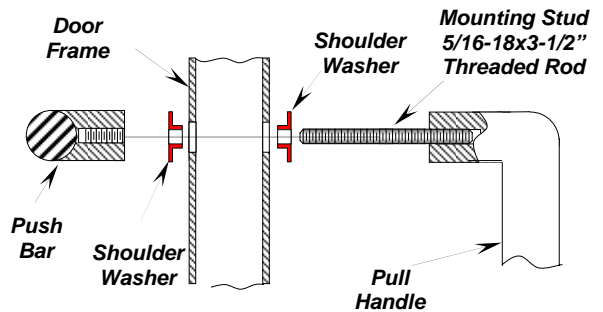
Step #1

Using the hardware shown, and provided with the system, mount the Pull Bars as indicated on the General Fabrication Drawing first. Tighten these bolts with a 5/32" hex wrench. .



Step #2

Installation of the Pull Handle requires the use of a piece of threaded rod, provided, threaded into the push bar finger tight. The pull handle is then rotated on the threaded rod until snug or aligned to the lower hole in the door frame.



Step #3

Insert the connector bolt, shown, and tighten. Do not overtighten these bolts.

